



Assembly video:  
<https://q-ne.ws/3rD6nLm>

# ASSEMBLY GUIDE

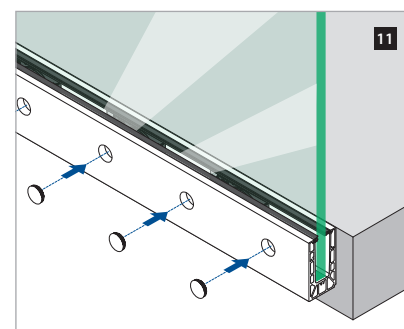
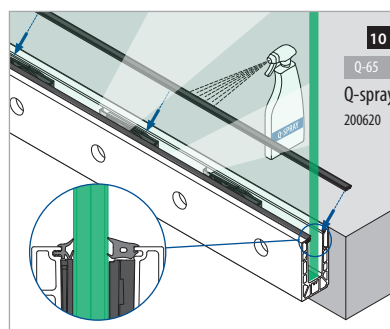
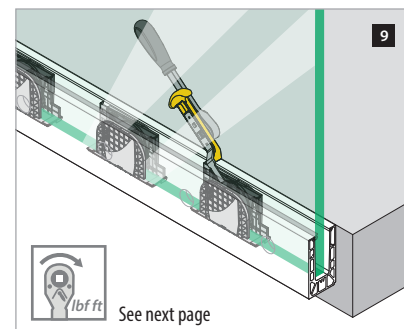
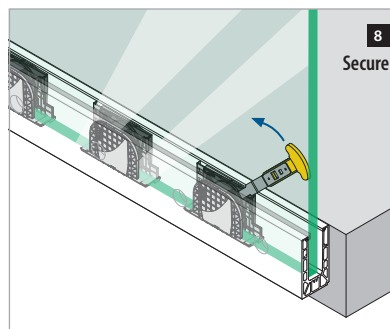
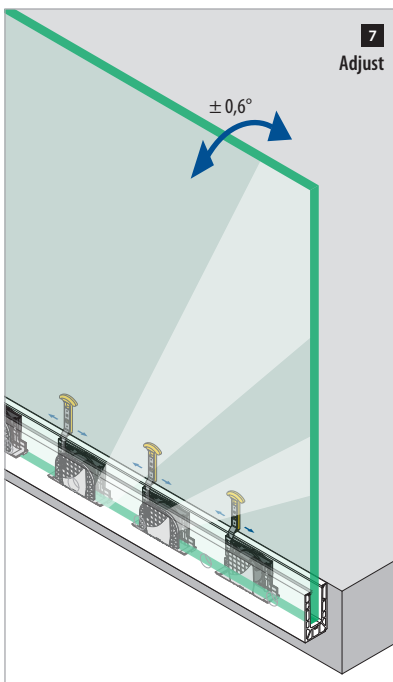
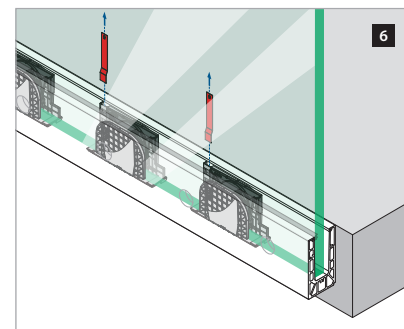
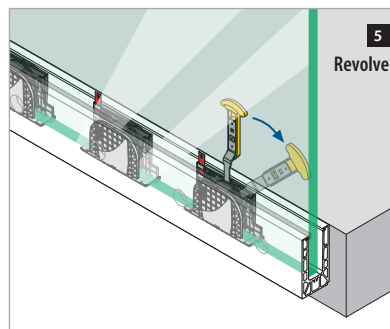
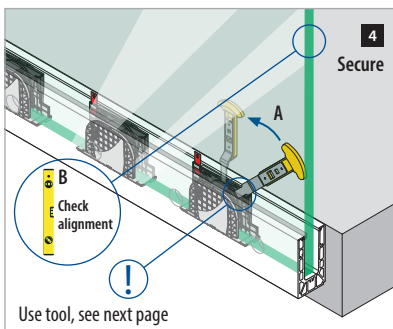
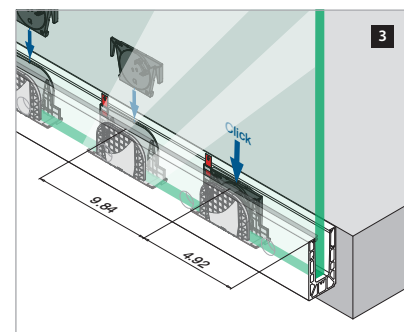
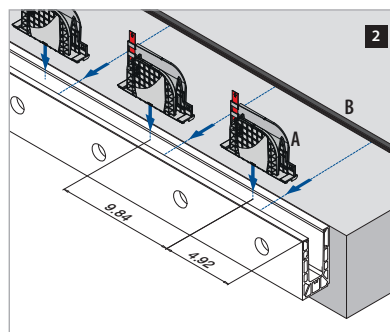
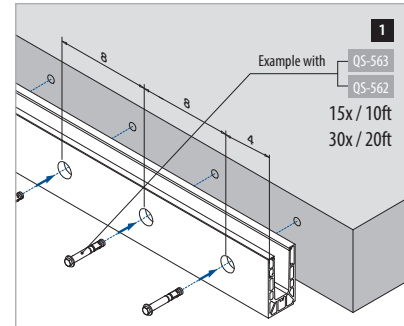
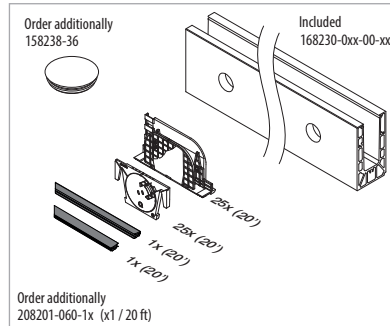
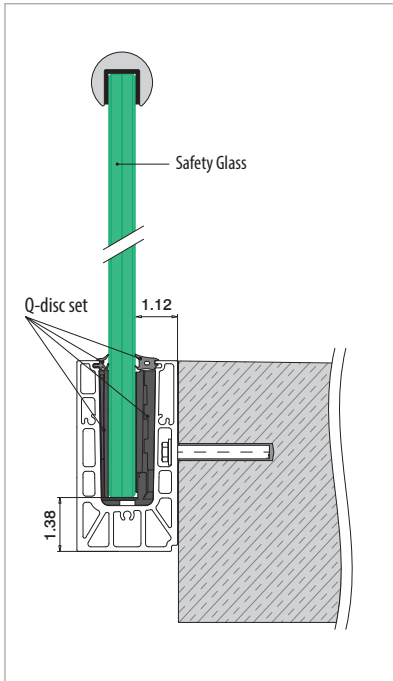
168230-0xx-00-xx

Railing base

EASY GLASS® SMART FASCIA - Base shoe, fascia mount - US

For adjustable glass fixation

Q-INFO MOD 8230



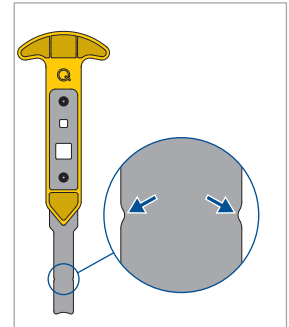
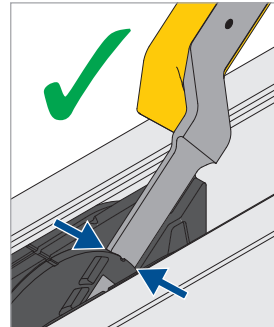
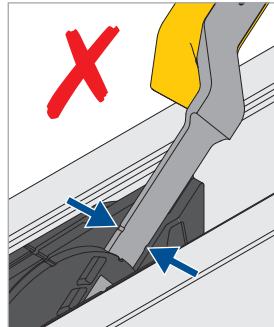
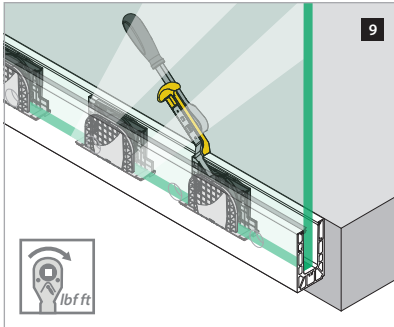


Q-disc® System

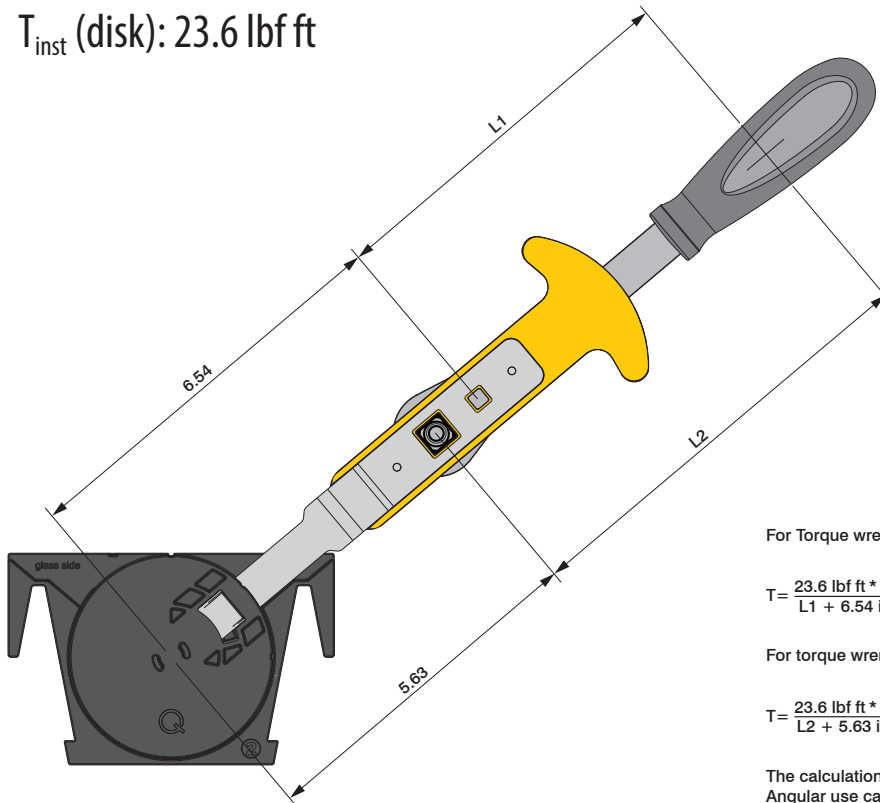
Q-disc and inlay tool - US

For adjustable glass fixation

Q-INFO MOD 8201 / 1000



$T_{inst}$  (disk): 23.6 lbf ft



For Torque wrench 1/4":

$$T = \frac{23.6 \text{ lbf ft} \cdot L1}{L1 + 6.54 \text{ inch}}$$

For torque wrench 1/2"

$$T = \frac{23.6 \text{ lbf ft} \cdot L2}{L2 + 5.63 \text{ inch}}$$

The calculation is valid for straight-lined use. Angular use causes different torque.

Accessories

Glass guide

Q-INFO MOD 1025

